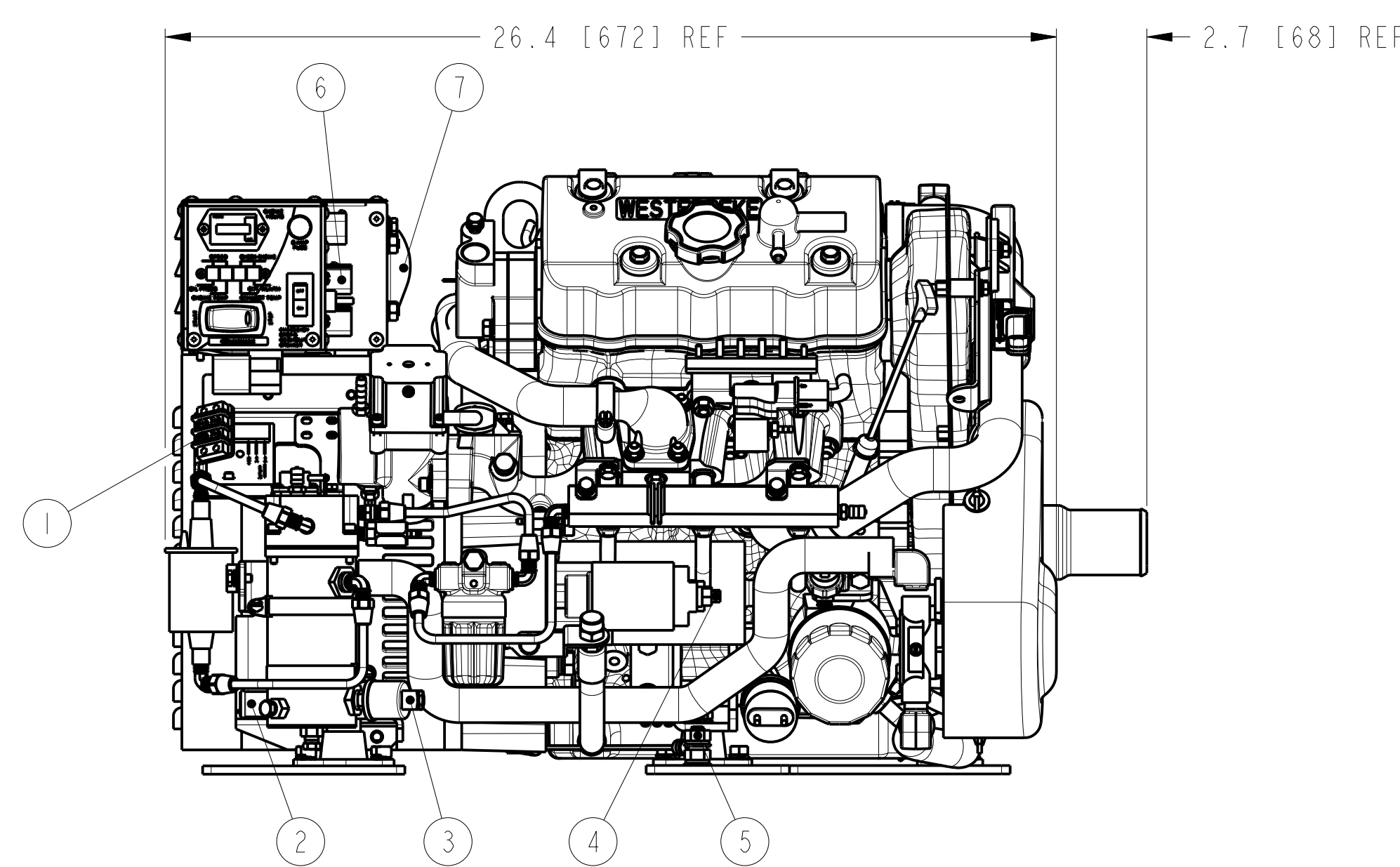
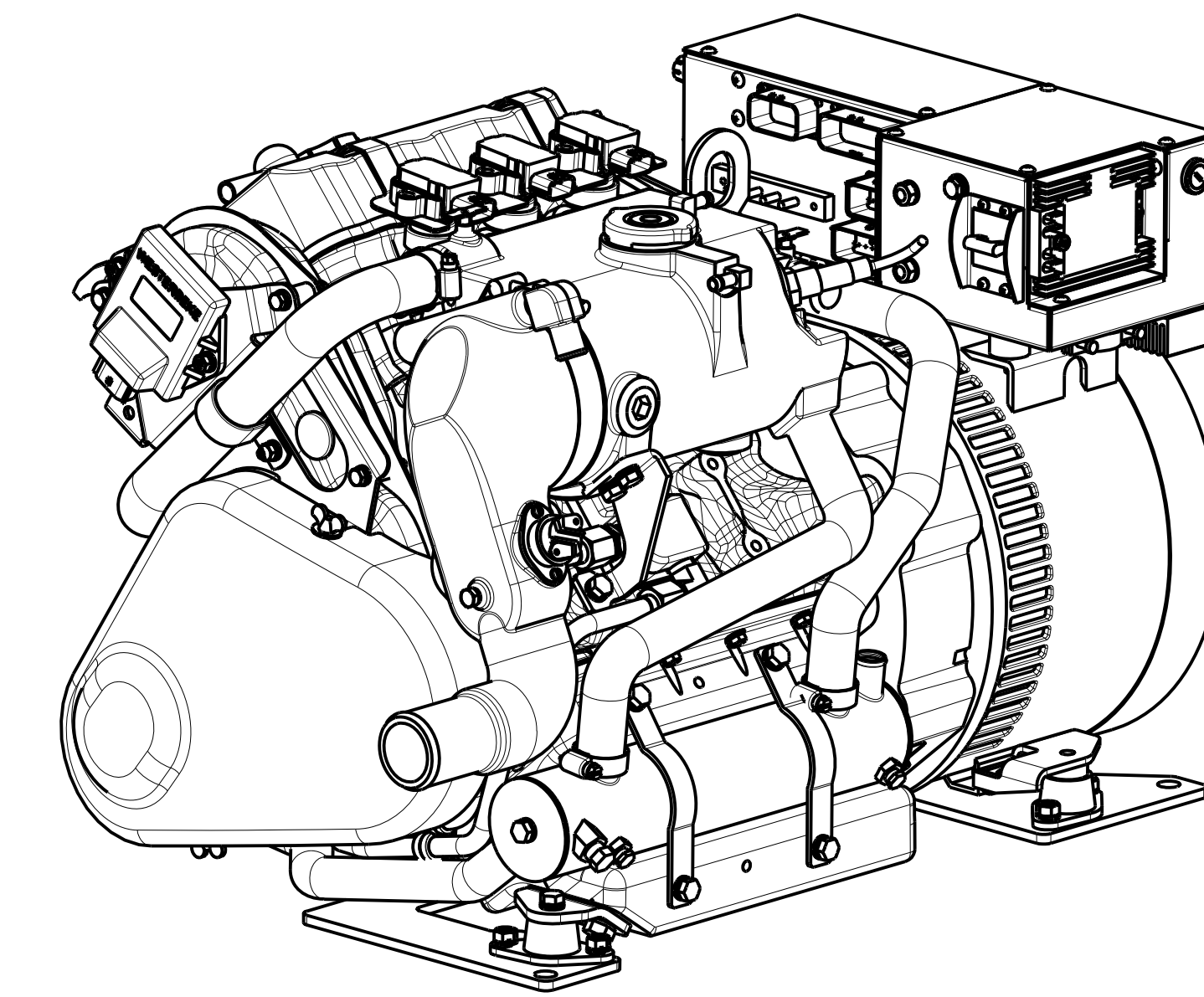
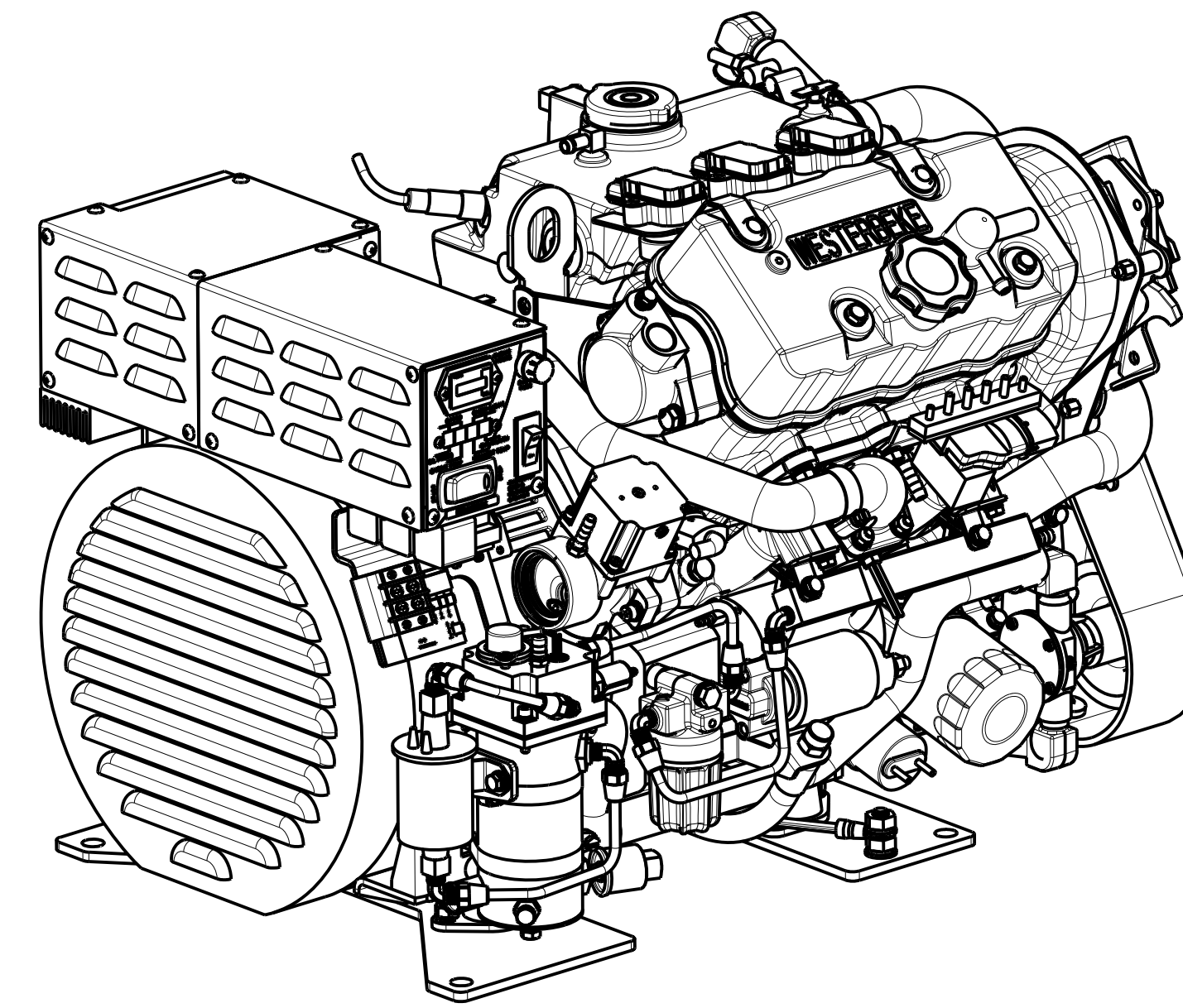
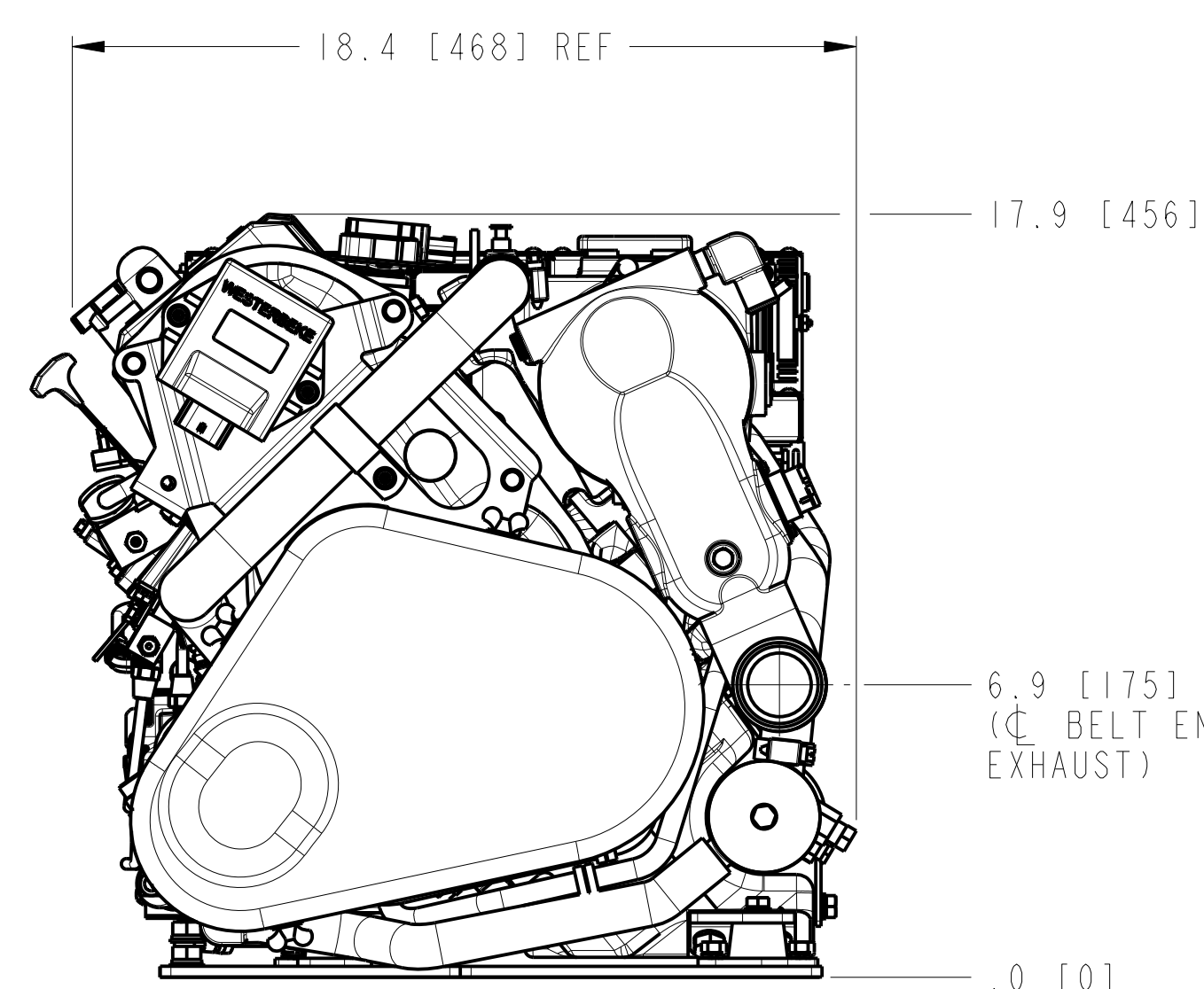


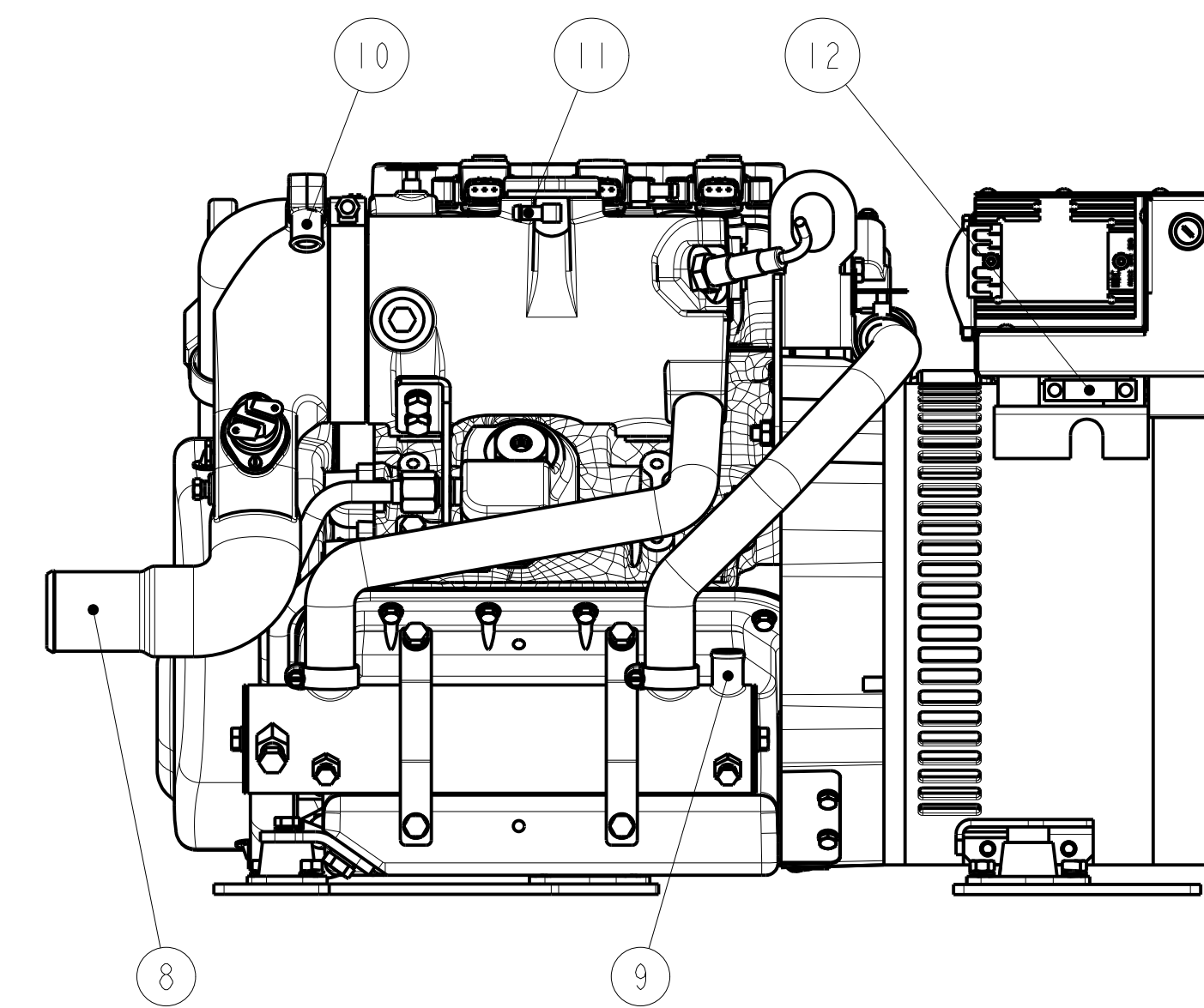
TOP



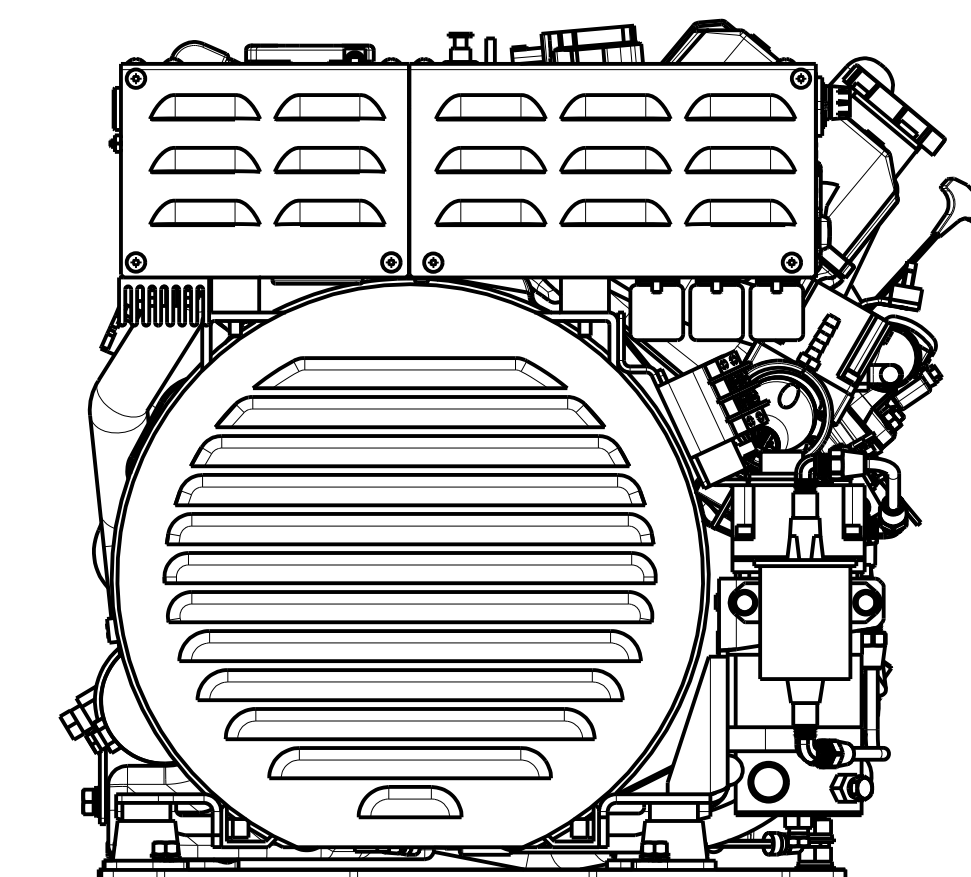
SERVICE SIDE



BELT END

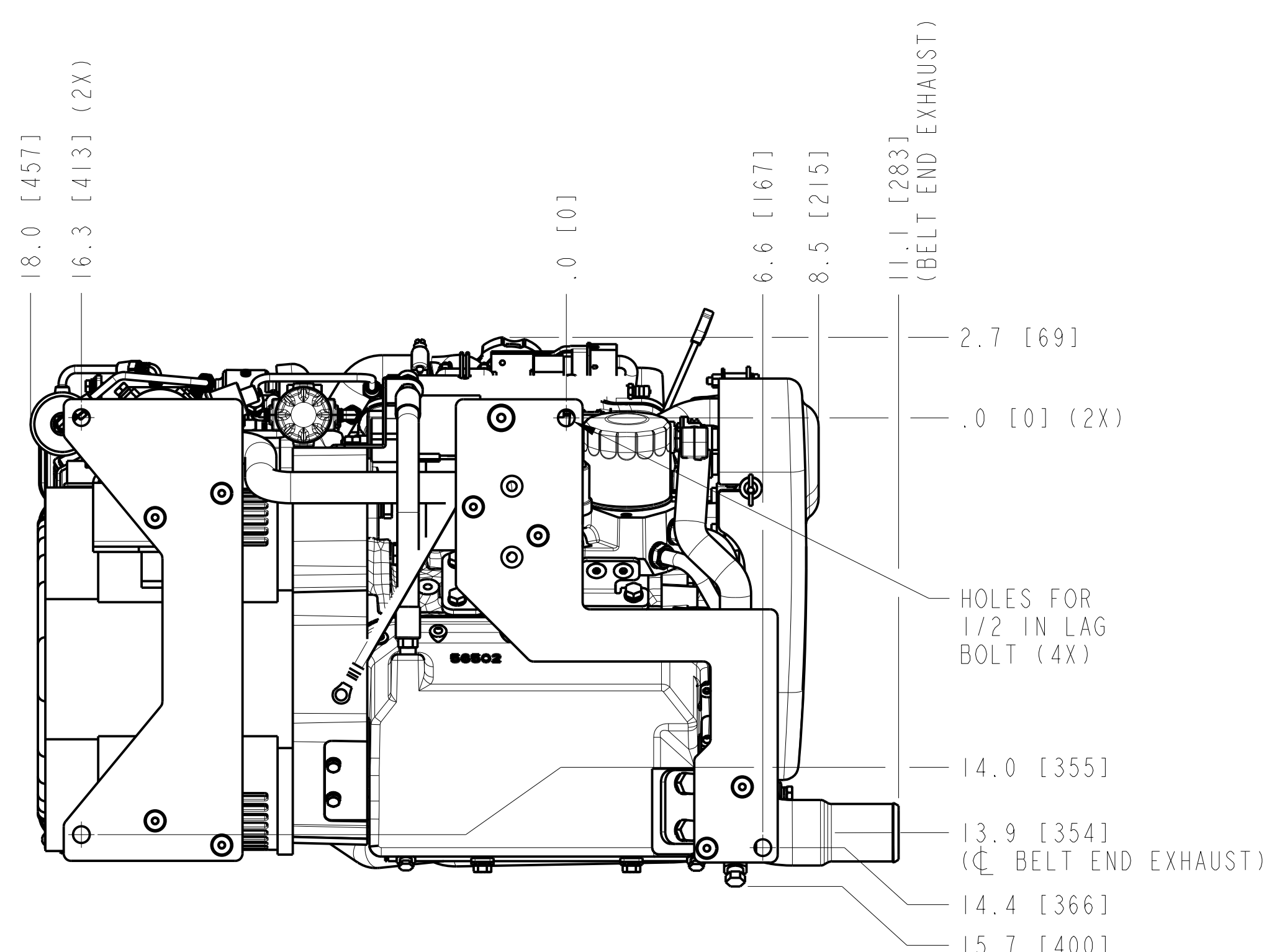


NON-SERVICE SIDE



GENERATOR END

# SIDE EXHAUST OPTION SHOWN

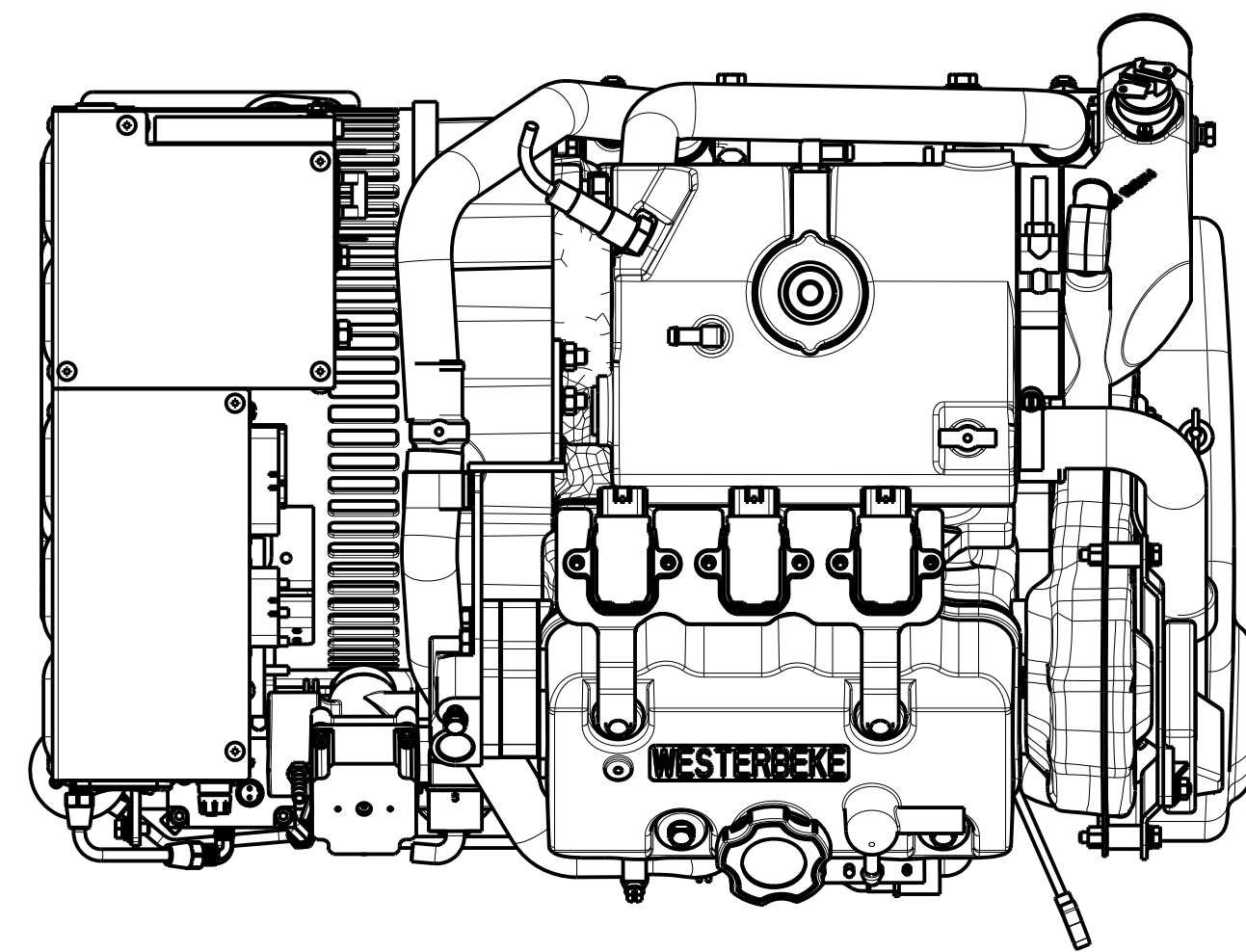


BOTTOM

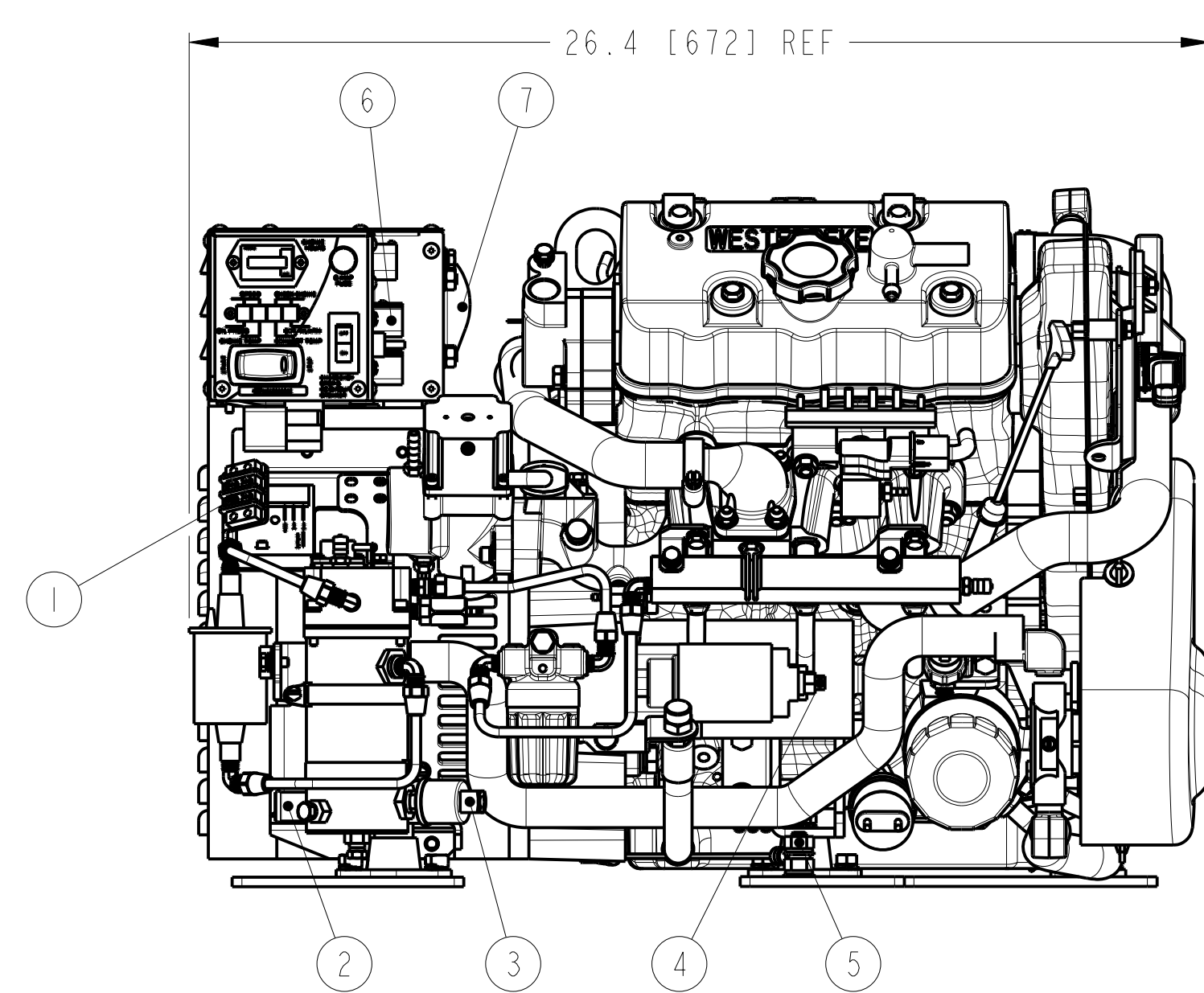
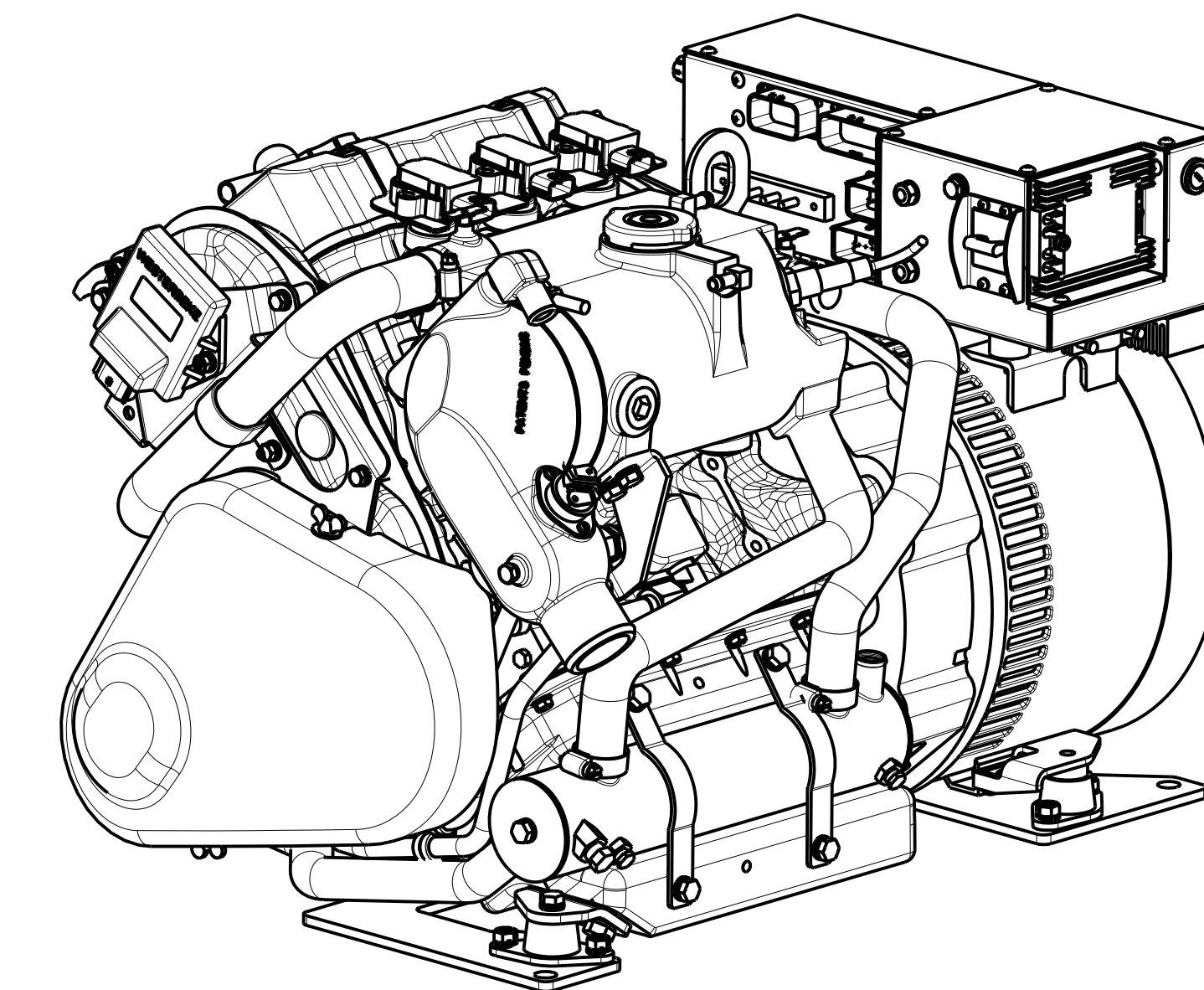
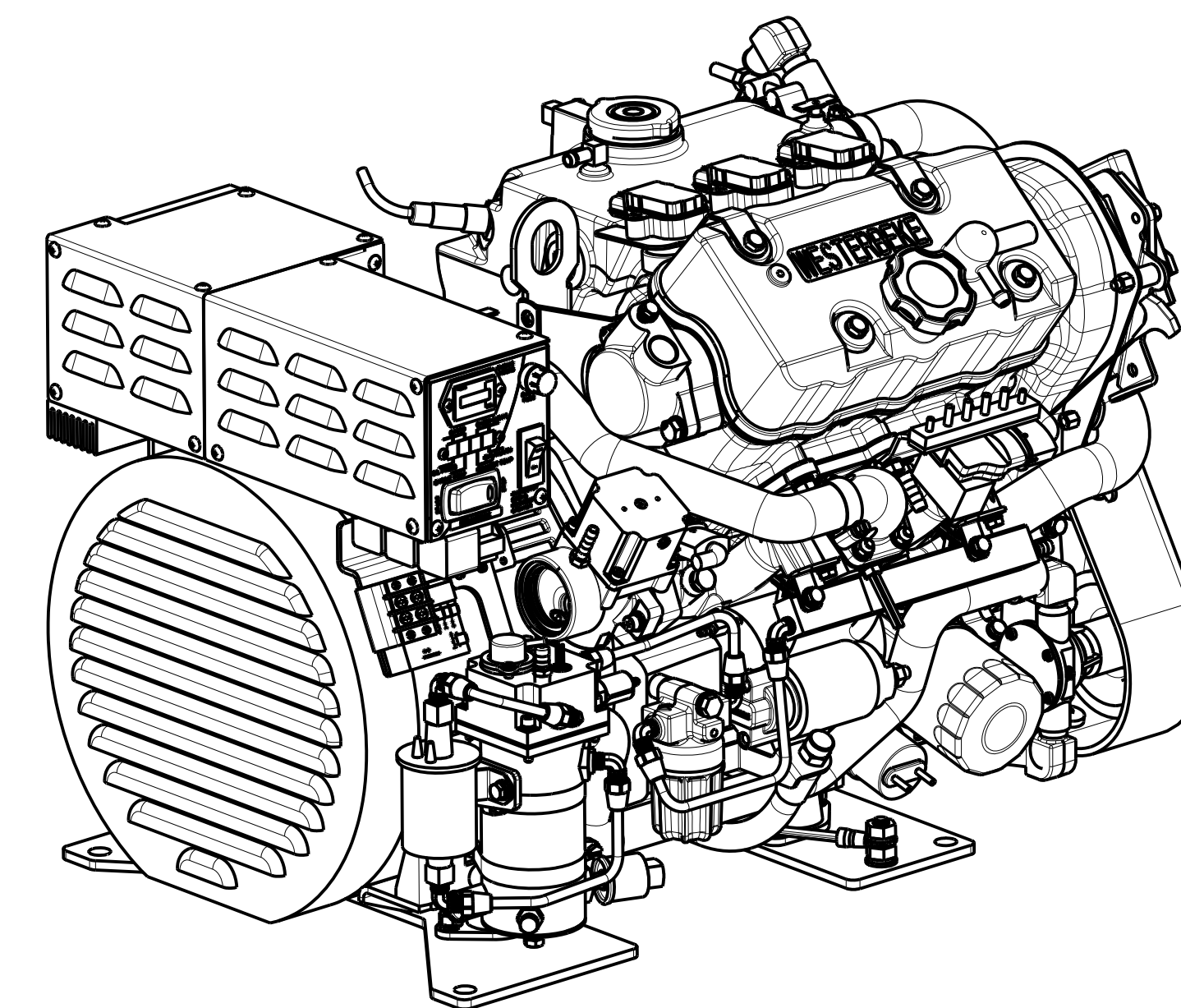
ITEM	CONNECTIONS
1	FIRE BOY
2	RAW WATER INLET, REQUIRES 3/4 IN ID HOSE TO CONNECT
3	FUEL LINE, REQUIRES 1/8-27 NPT MALE TO CONNECT
4	BATTERY (POS)
5	BATTERY (NEG)
6	REMOTE PANEL
7	A/C CIRCUIT BREAKER
8	WET EXHAUST, REQUIRES 2 IN ID HOSE TO CONNECT
9	RAW WATER OUTLET (TO SIPHON BREAK), REQUIRES 3/4 IN ID HOSE TO CONNECT
10	RAW WATER INLET (FROM SIPHON BREAK), REQUIRES 3/4 IN ID HOSE TO CONNECT
11	COOLANT OVERFLOW, REQUIRES 5/16 IN ID HOSE TO CONNECT
12	AC POWER

NOTES (UNLESS OTHERWISE SPECIFIED)  
 1. UNIT OF DIMENSIONS: INCH [MM]  
 2. TOLERANCE: ±.375 [9.5]

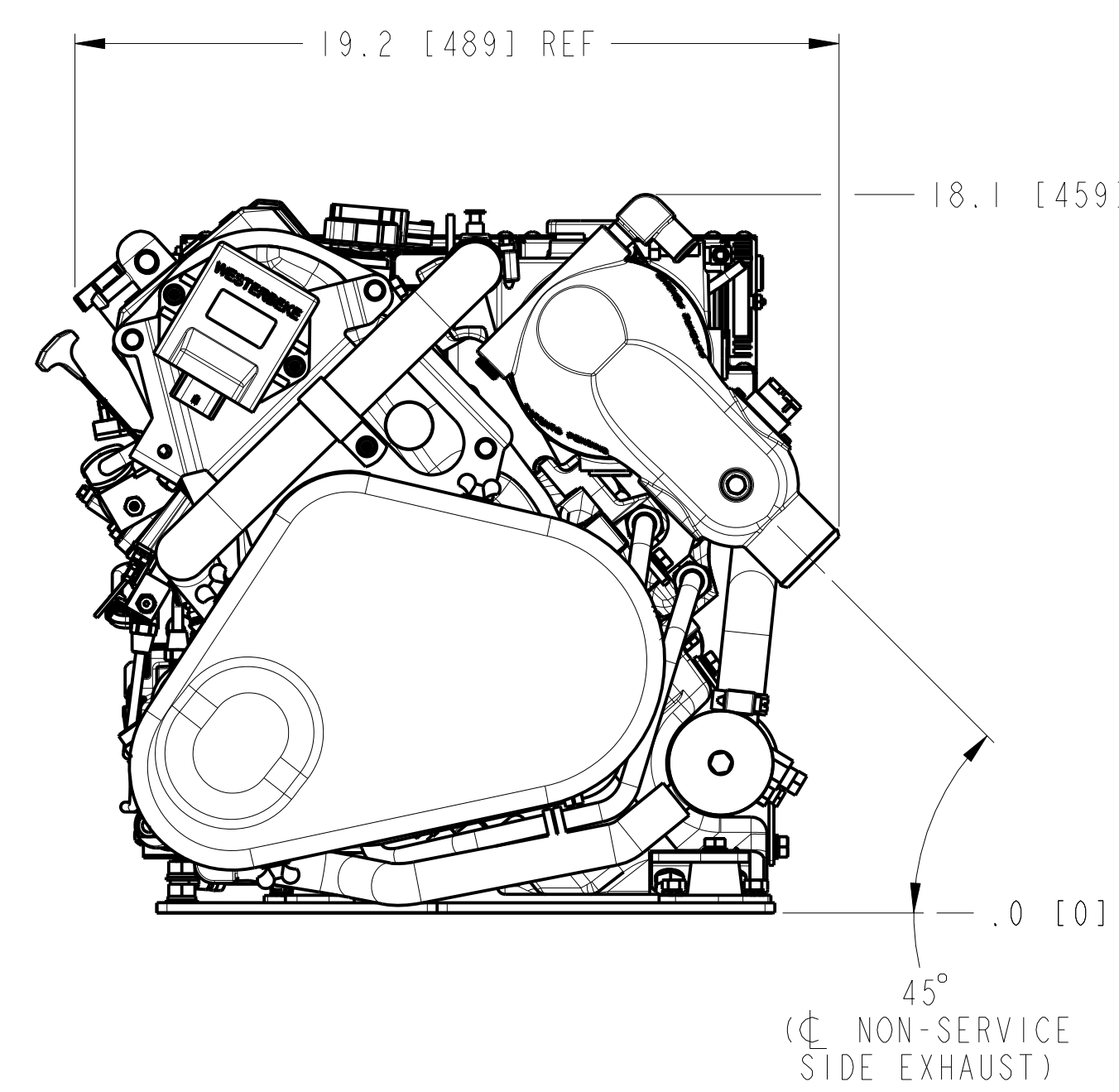
WESTERBEKE CORPORATION TAUNTON, MA 02780			
TITLE DGINSTALL 5.0/4.2 MCGA, BELT END EXHAUST CONNECTION			
DRAWN BY RH	DATE Jun-19-18	MATERIAL	
APPROVED BY	DATE		
SCALE 1/4	SIZE	DRAWING NUMBER	REV.
	E	56571	
SHT. 1 OF 2			



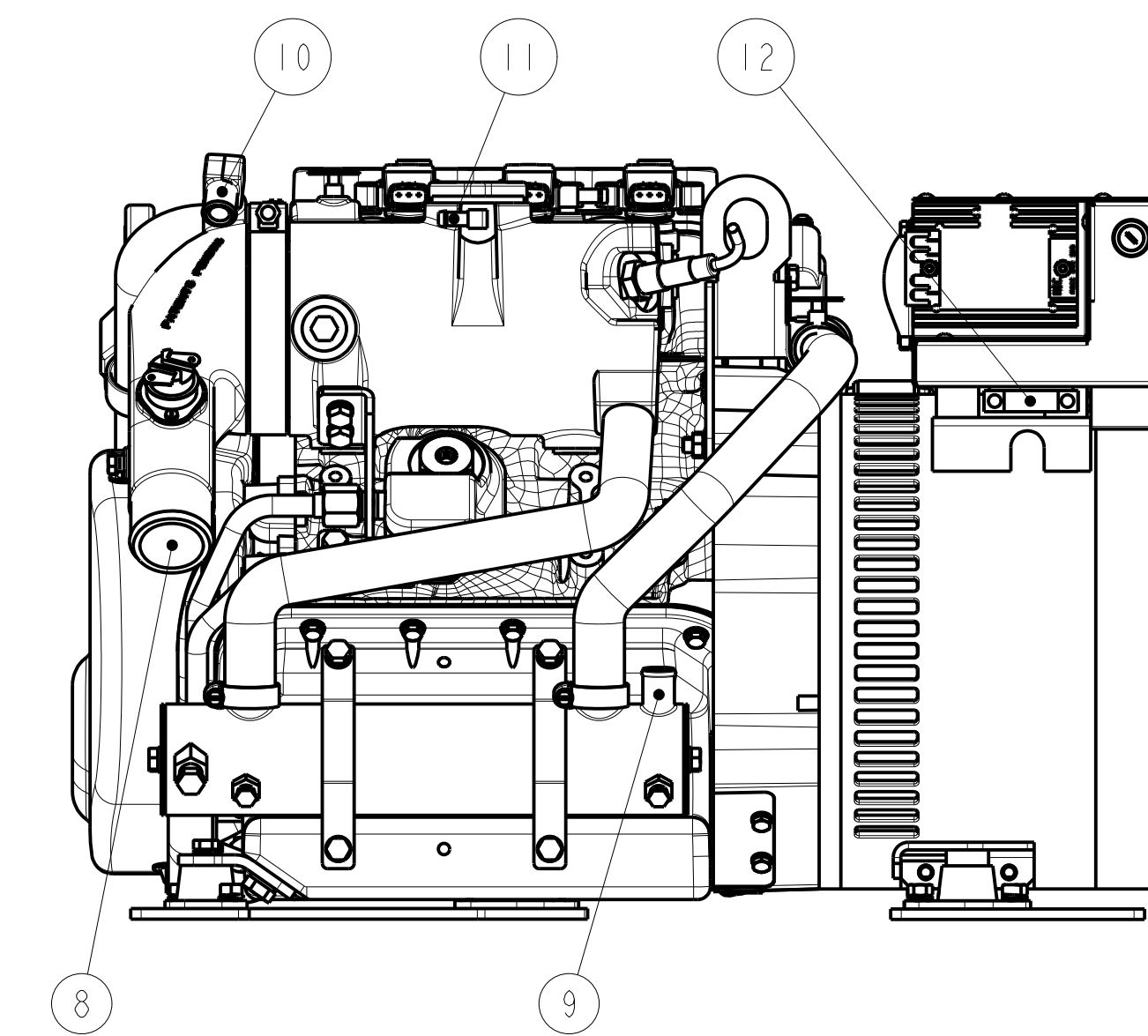
TOP



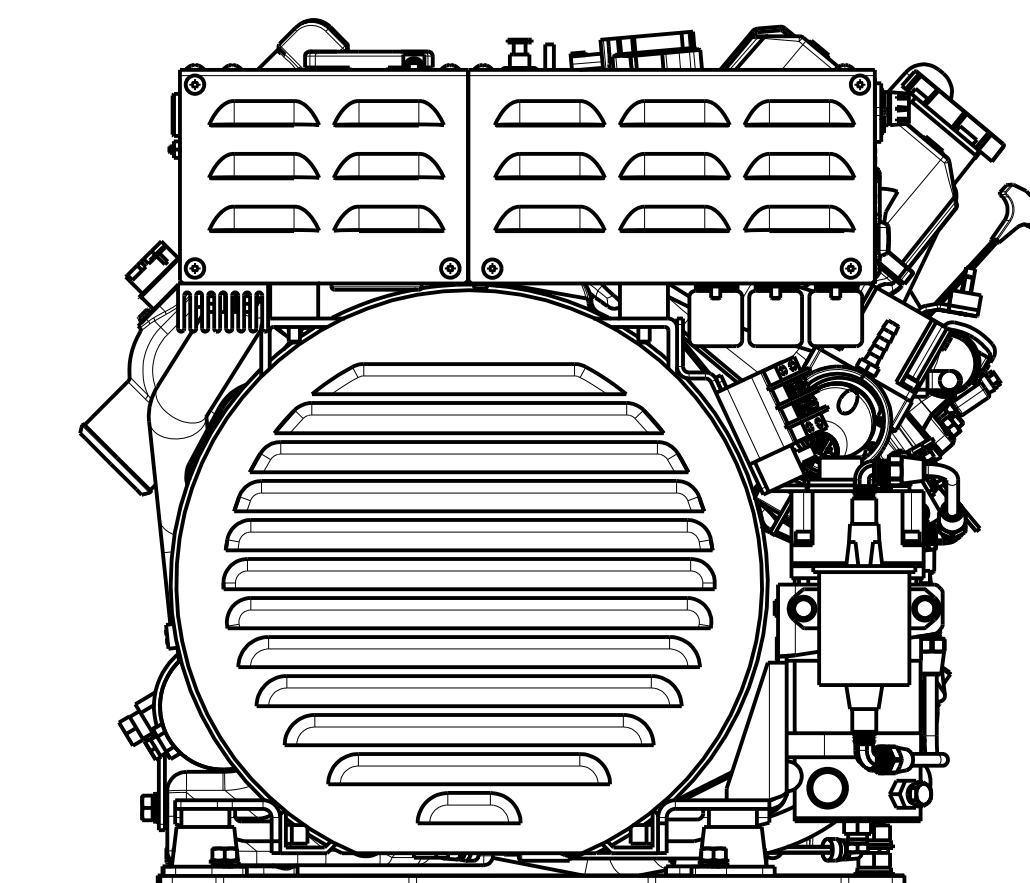
SERVICE SIDE



BELT END

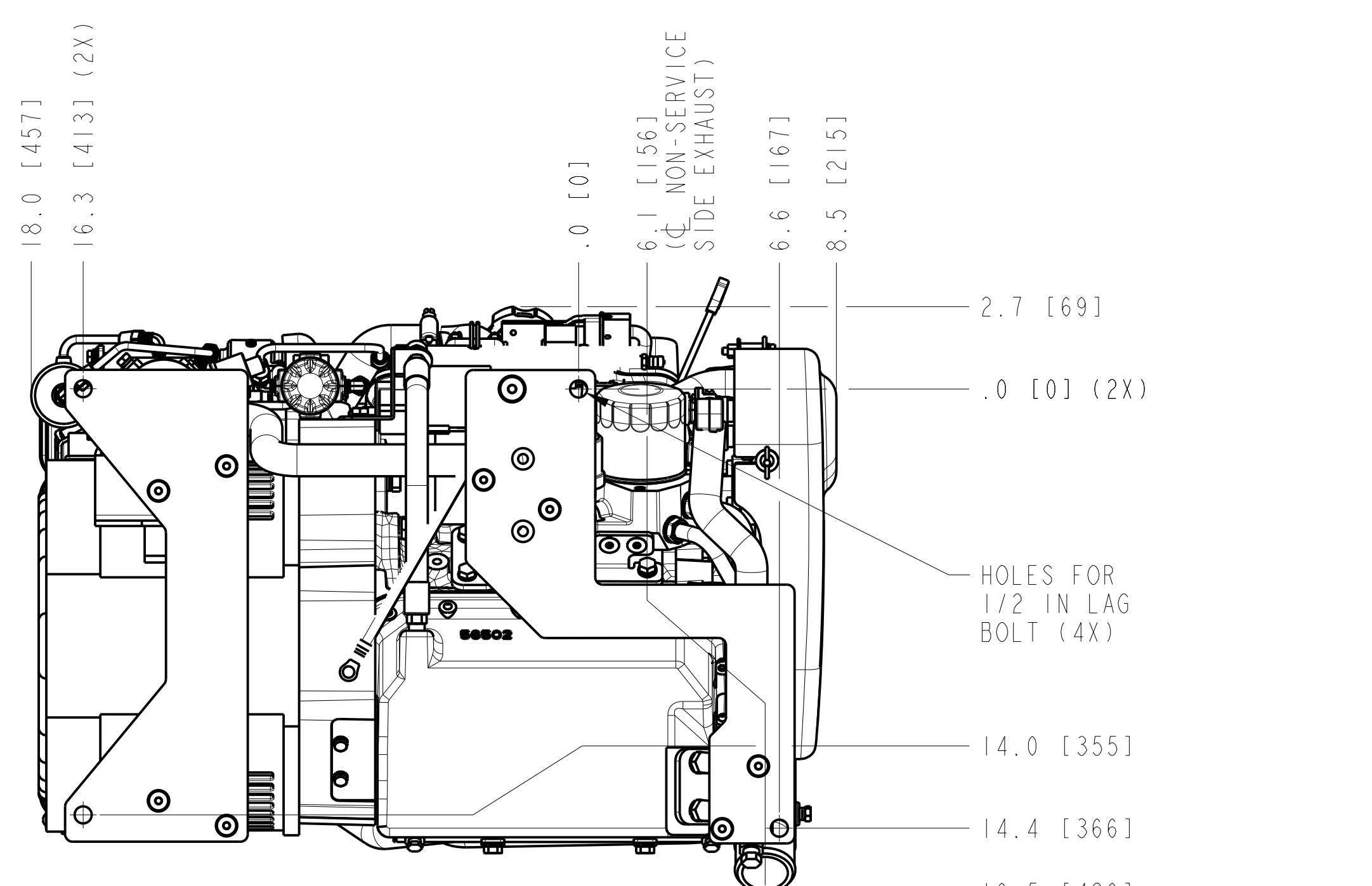


NON-SERVICE SIDE



GENERATOR END

# REAR EXHAUST OPTION SHOWN



BOTTOM

ITEM	CONNECTIONS
1	FIRE BOY
2	RAW WATER INLET, REQUIRES 3/4 IN ID HOSE TO CONNECT
3	FUEL LINE, REQUIRES 1/8-27 NPT MALE TO CONNECT
4	BATTERY (POS)
5	BATTERY (NEG)
6	REMOTE PANEL
7	A/C CIRCUIT BREAKER
8	WET EXHAUST, REQUIRES 2 IN ID HOSE TO CONNECT
9	RAW WATER OUTLET (TO SIPHON BREAK), REQUIRES 3/4 IN ID HOSE TO CONNECT
10	RAW WATER INLET (FROM SIPHON BREAK), REQUIRES 3/4 IN ID HOSE TO CONNECT
11	COOLANT OVERFLOW, REQUIRES 5/16 IN ID HOSE TO CONNECT
12	AC POWER

NOTES (UNLESS OTHERWISE SPECIFIED)  
 1. UNIT OF DIMENSIONS: INCH [MM]  
 2. TOLERANCE: ±.375 [9.5]

WESTERBEKE CORPORATION TAUNTON, MA 02780			
TITLE DGINSTALL 5.0/4.2 MCGA, NON-SERVICE SIDE EXHAUST CONNECTION			
DRAWN BY RH	DATE Jun-19-18	MATERIAL:	
APPROVED BY	DATE	SIZE	DRAWING NUMBER
SCALE 1/4		E	56571
SHT. 2 of 2			